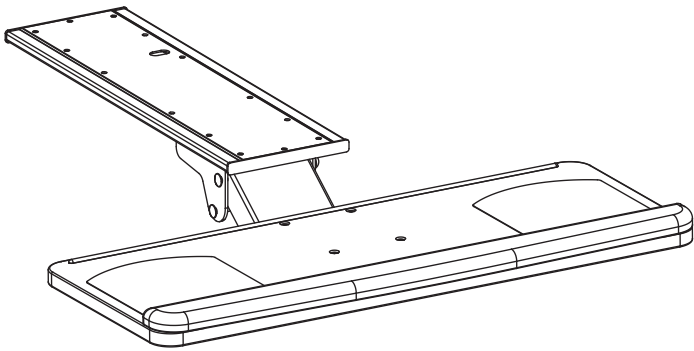




Silver Under Desk Keyboard Tray

Instruction Manual



SKU: MOUNT-KB01



Scan the QR code with your mobile device or follow the link for helpful videos and specifications related to this product.

<https://vivo-us.com/products/mount-kb01>

GET IN TOUCH | Monday-Friday from 7:00am-7:00pm CST



help@vivo-us.com



www.vivo-us.com
Chat live with an agent!



309-278-5303

WARNING!

If you do not understand these directions, or if you have any doubts about the safety of the installation, please call a qualified technician. Check carefully to make sure there are no missing or defective parts. Improper installation may cause damage or serious injury. Do not use this product for any purpose that is not explicitly specified in this manual. Do not exceed weight capacity. We cannot be liable for damage or injury caused by improper mounting, incorrect assembly or inappropriate use.

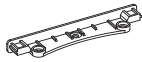
WARNING: CHOKING HAZARD

SMALL PARTS - NOT FOR CHILDREN UNDER 3 YEARS. ADULT SUPERVISION IS REQUIRED.

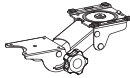
PACKAGE CONTENTS



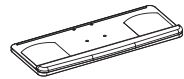
A (x1)
Track



B (x2)
Track Guard



C (x1)
Arm



D (x1)
Tray



S-A (x14)
ST4.2x16 Screw



S-B (x4)
M5x20 Bolt



S-C (x4)
M5 Nut

TOOLS NEEDED



**Phillips
Screwdriver**



Drill



Pencil



Wrench

DO NOT EXCEED WEIGHT CAPACITY.

Failure to do so may result in serious injury.

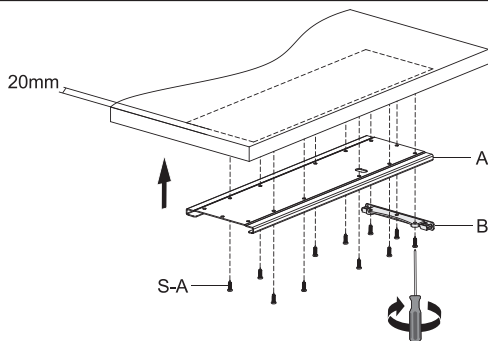
**4.4lbs
(2kg)**

ASSEMBLY STEPS

STEP 1

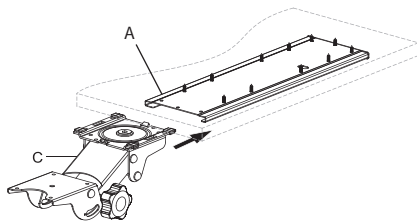
Position Track (**A**) underneath the desk, at least 20 mm (0.8") from the edge of the desk, and mark hole locations with a pencil. Drill pilot holes using a 3/32" drill bit.

Using ST4.2x16 Screws (**S-A**), attach Track (**A**) underneath the desk (Leave front three mounting holes unused at this time.) Mount Track Guard (**B**) to the rear holes using ST4.2x16 Screws (**S-A**).



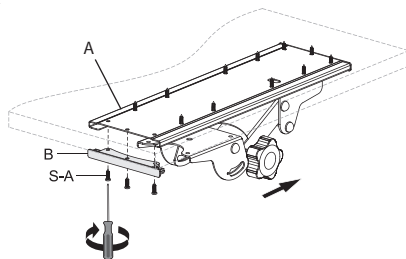
STEP 2

Slide Arm (C) into Track (A). If Arm (C) doesn't slide smoothly, grease the plastic sliders.



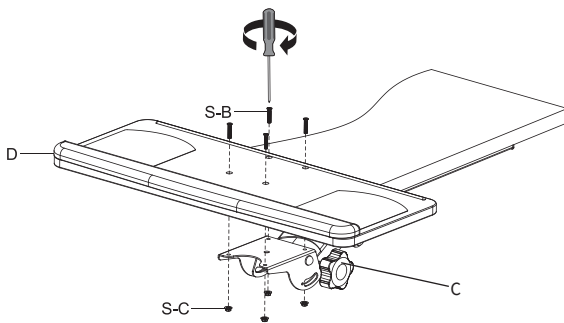
STEP 3

With the Arm (C) pushed to the back, secure Track Guard (B) to the front of Track (A) using ST4.2x16 Screws (S-A).



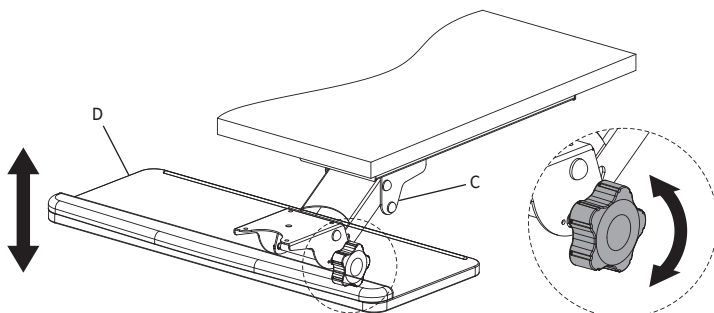
STEP 4

With Arm (C) pulled out, attach Tray (D) to Arm (C) using M5x20 Bolts (S-B) and M5 Nuts (S-C). Tighten using a Phillips screwdriver and wrench.



STEP 5

Adjust the height of Tray (D) by loosening the knob on Arm (C) until in desired position, then retighten the knob.





Open **Monday - Friday 7:00am - 7:00pm** CST,
our dedicated support team can offer immediate assistance with rapid response times. If any parts are received damaged or defective, please contact us. We are happy to replace parts to ensure you have a fully functioning product.



309-278-5303

AVG. RESOLUTION TIME (*within office hrs*): **5M 4S**



www.vivo-us.com
Chat live with an agent!

AVG. RESOLUTION TIME (*within office hrs*): **< 15 M**



help@vivo-us.com

AVG. RESPONSE TIME (*within office hrs*): **1HR 8M**

- 23% within < 15m
- 38% within < 30m
- 61% within < 1hr
- 83% within < 2hr
- 92% within < 3hr